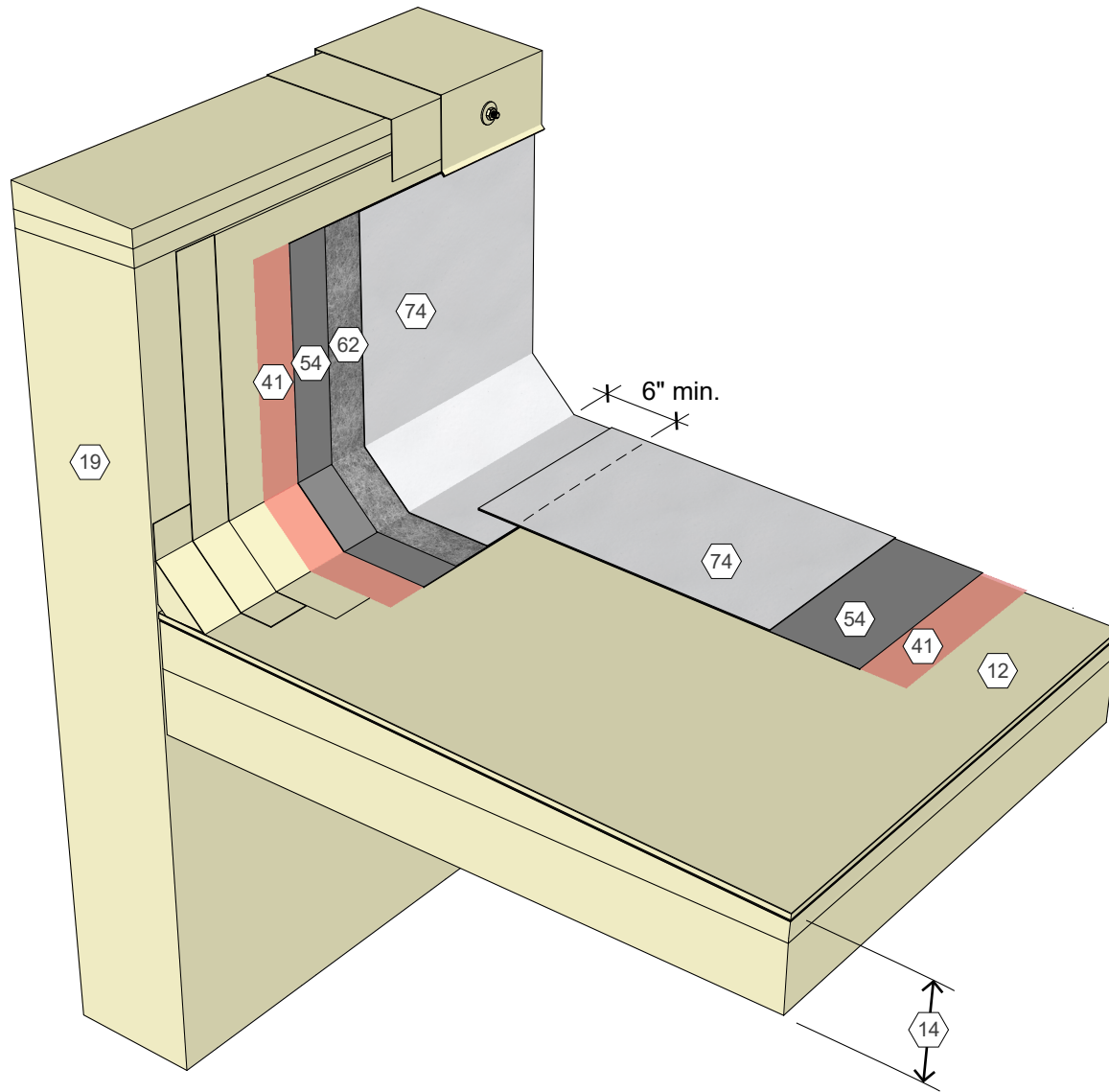


**KEY NOTES**

- ①① Existing Single-Ply Membrane
- ①④ Existing Structural Deck and Insulation Assembly
- ①⑨ Existing Wall Assembly
- ④① Approved Primer
- ⑤④ AlphaGuard Si Base Coat
- ⑥② Permafab
- ⑦④ AlphaGuard Si Top Coat

AlphaGuard® Si Restoration Detail, Single-Ply, Coping Cap  
 Detail 16011





**KEY NOTES**

- ⑫ Existing MB or Smooth BUR
- ⑭ Existing Structural Deck and Insulation Assembly
- ⑰ Existing Wall Assembly
- ④① Approved Primer
- ⑤④ AlphaGuard Si Base Coat
- ⑥② Permafab
- ⑦④ AlphaGuard Si Top Coat

AlphaGuard® Si Restoration Detail, MB or Smooth BUR, Coping Cap  
 Detail 16012